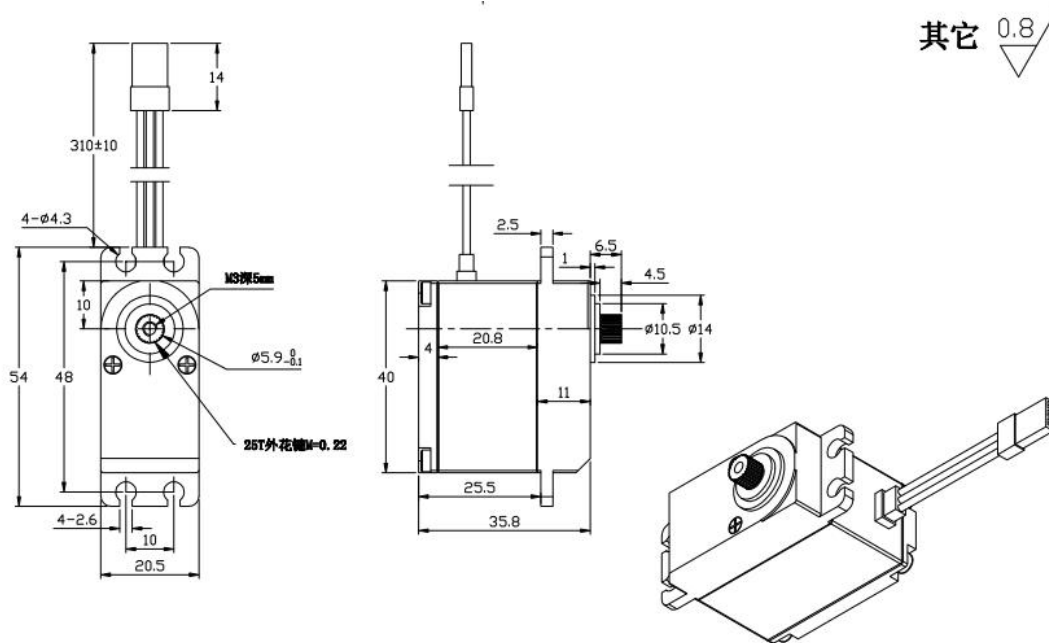


SHENZHEN SKY STAR TECHNOLOGY CO.,LTD					
Data Sheet of TK-30MG Digital Servo Motor					
Product Specification					
Products Name : TK-30MG 30KG Digital servo motor					
1. Apply Environmental Conditon					
No	Item	Specifcation			
1.1	Storage Temperature Range	-30°C~80°C			
1.2	Operating Temperature Range	-25°C~70°C			
2. Standard Test Environment					
No	Item	Specifcation			
2.1	Temperature Range	-25°C~70°C			
2.2	Humidity Range	65%±10%			
3. Mechanical Specification					
No	Item	Specifcation			
3.1	Size	40.8*20.2*35.8mm			
3.2	Weight	80g±5%			
3.2	Gear type	6 Metal			
3.4	Limit angle	360°			
3.5	Bearing	2BB			
3.6	Horn gear spline	25T 直径:5.9mm			
3.7	Horn type	Plastic, POM			
3.8	Case	Aluminum alloy			
3.9	Connector wire	300mm±5mm			
3.10	Motor	Coreless			
3.11	Waterproof Grade	IP66			
4. Electrical Specification					
No	Item	Specifcation			
4.1	Operat voltage	4.8V	6.0V	7.2V	8.4V
4.2	Idle current	< 40mA			
4.3	No load speed	0.16sec/60°	0.13sec/60°	0.11sec/60°	0.09sec/60°
4.4	Runnig current	210mA	260mA	350mA	450mA
4.5	Peak stall torque	28.5kg.cm	30.5kg.cm	31kg.cm	32.5kg.cm
4.6	Stall current	3600mA±10%	4000mA±10%	4400mA±10%	4600mA±10%
5. Control Specification					

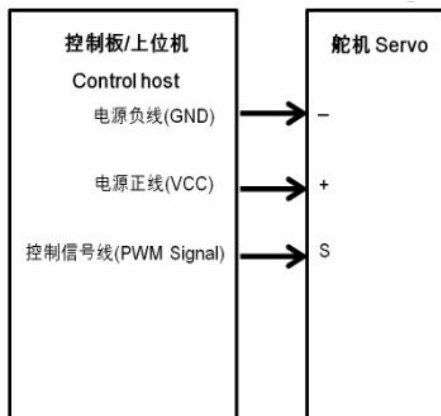
No	Item	Specifcation
5.1	Command signal	Pulse width modification
5.2	Amplifier type	Digital controller
5.3	Pulse width range	500~2500usec
5.4	Neutral position	1500usec
5.5	Running degree	180°±3°(when 500~2500usec)
5.6	Dead band width	3 usec
5.7	Rotating direction	Counterclockwise (when 1000~2000usec)

2. 2D Dimension Drawing



Note: The dimension diagram of this product has an error of ± 0.2mm compared to the actual product dimensions.

3.Product Control



Note: Operating Voltage : 4.8V-8.4V , Signal Voltage : 3.0-5.0V .
Signal Period :20ms, Pulse Width : 500us-2500us .